

TIME FLIES | COUNTER STOOL

Designed by Jonas Søndergaard



DIMENSIONS

H x W x D: 102 x 51 x 56 cm / 42.5 x 20 x 22"



MARKINGS, TESTS & CERTIFICATIONS

EN 16139 Furniture – Seating (Level 1)
ANSI/BIFMA X5.4 – Public and Lounge Seating



MATERIAL

Steel and polyester (Horizons F, Horizons S and Teddy bear). Find more information in the Horizons F, Horizons S and Teddy bear fabric spec sheet.



CONSTRUCTION

Backrest: Inner steel construction surrounded by casted PU foam. **Seat cushion:** Plywood with PU foam.



WEIGHT

13.5 kg / 29.8 lb (2 pcs. per box)



WEIGHT INCL. PACKAGING

14.7 kg / 32.4 lb (2 pcs. per box)



PACKAGING DIMENSIONS (L x W x H)

Box 1: 75 x 48 x 60 cm / 29.5 x 18.9 x 23.6"
Box 2: 60 x 61 x 59 cm / 16.5 x 24 x 23.2"



ASSEMBLY TIME

30 min



MEDIA KIT

Photos and press material
Download at umage.presscloud.com



ORDERING INFORMATION

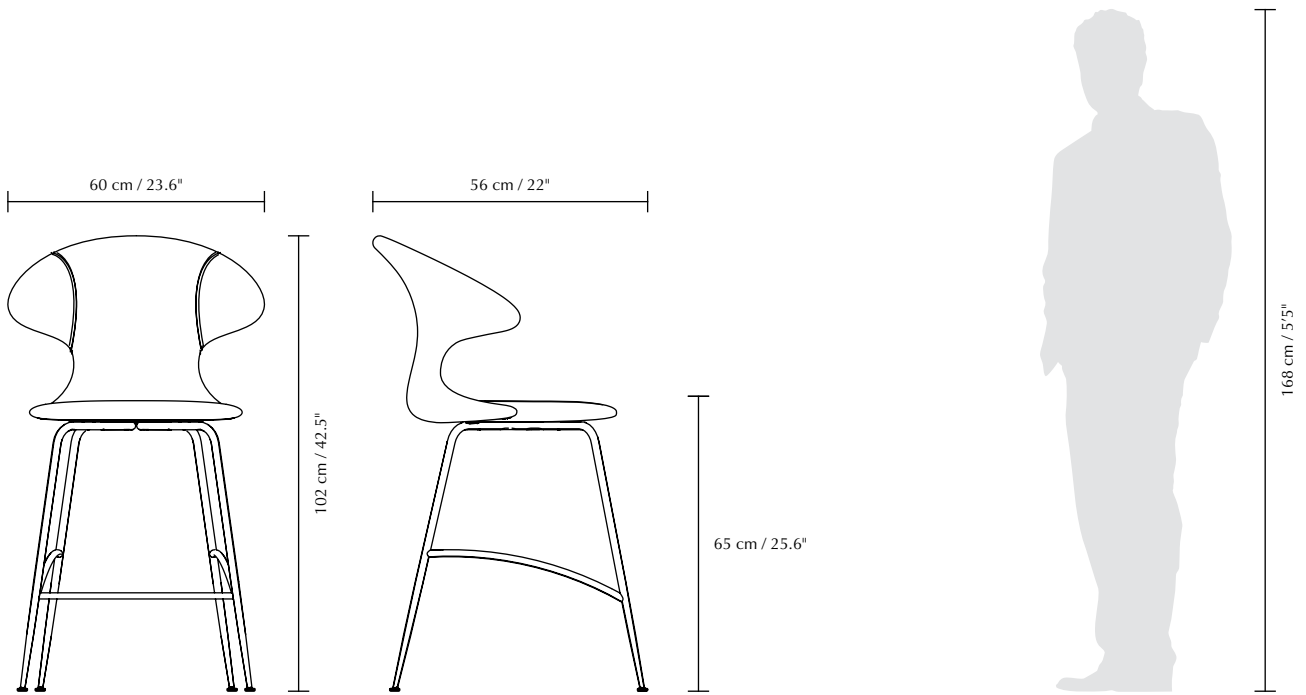
Brass (legs) sugar brown	#590-01C5913-1
Brass (legs) white sands	#590-02C5913-1
Brass (legs) sterling	#590-03C5913-1
Brass (legs) shadow	#590-04C5913-1
Brass (legs) racing green	#590-05C5913-1
Brass (legs) tangerine	#590-06C5913-1
Brass (legs) monrose	#590-07C5913-1
Brass (legs) caramel	#590-08C5913-1
Brass (legs) curry sun	#590-09C5913-1
Brass (legs) mocca	#590-10C5913-1
Brass (legs) summer shine	#590-11C5913-1
Brass (legs) morning meadows	#590-12C5913-1
Brass (legs) calm seas	#590-13C5913-1
Brass (legs) bright skies	#590-14C5913-1
Brass (legs) jet air blue	#590-15C5913-1
Brass (legs) stone rose	#590-16C5913-1
Brass (legs) quantum blue	#590-17C5913-1
Brass (legs) teddy white	#590-18C5913-1
Brass (legs) teddy brown	#590-19C5913-1
Chrome (legs) sugar brown	#590-01C5913-2
Chrome (legs) white sands	#590-02C5913-2
Chrome (legs) sterling	#590-03C5913-2
Chrome (legs) shadow	#590-04C5913-2
Chrome (legs) racing green	#590-05C5913-2
Chrome (legs) tangerine	#590-06C5913-2
Chrome (legs) monrose	#590-07C5913-2
Chrome (legs) caramel	#590-08C5913-2
Chrome (legs) curry sun	#590-09C5913-2

Chrome (legs) mocca	#590-10C5913-2
Chrome (legs) summer shine	#590-11C5913-2
Chrome (legs) morning meadows	#590-12C5913-2
Chrome (legs) calm seas	#590-13C5913-2
Chrome (legs) bright skies	#590-14C5913-2
Chrome (legs) jet air blue	#590-15C5913-2
Chrome (legs) stone rose	#590-16C5913-2
Chrome (legs) quantum blue	#590-17C5913-2
Chrome (legs) teddy white	#590-18C5913-2
Chrome (legs) teddy brown	#590-19C5913-2
Black (legs) sugar brown	#590-01C5913-3
Black (legs) white sands	#590-02C5913-3
Black (legs) sterling	#590-03C5913-3
Black (legs) shadow	#590-04C5913-3
Black (legs) racing green	#590-05C5913-3
Black (legs) tangerine	#590-06C5913-3
Black (legs) monrose	#590-07C5913-3
Black (legs) caramel	#590-08C5913-3
Black (legs) curry sun	#590-09C5913-3
Black (legs) mocca	#590-10C5913-3
Black (legs) summer shine	#590-11C5913-3
Black (legs) morning meadows	#590-12C5913-3
Black (legs) calm seas	#590-13C5913-3
Black (legs) bright skies	#590-14C5913-3
Black (legs) jet air blue	#590-15C5913-3
Black (legs) stone rose	#590-16C5913-3
Black (legs) quantum blue	#590-17C5913-3
Black (legs) teddy white	#590-18C5913-3
Black (legs) teddy brown	#590-19C5913-3



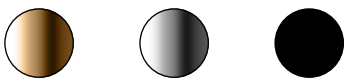
TIME FLIES | COUNTER STOOL

Designed by Jonas Søndergaard



Colour variations

(legs)



brass

chrome

black

(textiles)



sugar brown

white sands

sterling

shadow

racing green

tangerine

monrose

caramel

curry sun

mocca



summer shine



morning meadows



calm seas



bright skies



jet air blue



stone rose



quantum blue



teddy white



teddy brown

